




FEATURES

- ❖ Operating Evaporating Temperature range from +65°C to -45°C
- ❖ Used for CFC, HCFC and HFC (R22, R134A, R404A, R407A, R407C, R507)
- ❖ Fusible Plug on larger sizes Accumulators (2.1/8, 2.5/8 and 3.1/8)
- ❖ Corrosion Resistant Powder Coated Finish

ESA - PERFORMANCE DATA R404A / R507 / R134A / R22

| Model | Volume (L) | Inlet / Outlet Connection (Inch) | Q, Nominal Capacity (kW) | | | | | | Refrigerant Holding Capacity (kg) at 30°C | | | Accessories |
|-------------|------------|----------------------------------|--------------------------|--------------|-------------|--------------|-------------|--------------|---|-------|------|---|
| | | | R404A / R507 | | R134A | | R22 | | R404a R507 | R134A | R22 | |
| | | | Max. (+4°C) | Min. (-40°C) | Max. (+4°C) | Min. (-40°C) | Max. (+4°C) | Min. (-40°C) | | | | |
| ESA-0400804 | 1.6 | 1/2" ODF | 7.0 | 1.1 | 4.2 | 0.6 | 4.6 | 0.7 | 1.1 | 1.2 | 1.2 | - |
| ESA-0401105 | 2.0 | 5/8" ODF | 10.5 | 1.6 | 6.0 | 0.9 | 7.0 | 1.1 | 1.5 | 1.6 | 1.6 | - |
| ESA-0551006 | 3.5 | 3/4" ODF | 14.0 | 2.1 | 8.1 | 1.2 | 9.1 | 1.4 | 2.5 | 2.6 | 2.6 | - |
| ESA-0551307 | 4.2 | 7/8" ODF | 25.6 | 3.8 | 14.0 | 2.1 | 16.1 | 2.4 | 3.2 | 3.3 | 3.3 | - |
| ESA-0651709 | 7.5 | 1.1/8" ODF | 41.4 | 6.2 | 25.3 | 3.8 | 26.7 | 4.0 | 6.5 | 6.6 | 6.6 | Round Base Mount |
| ESA-0652111 | 10.0 | 1.3/8" ODF | 66.0 | 9.9 | 37.6 | 5.6 | 42.8 | 6.4 | 9.1 | 9.2 | 9.2 | |
| ESA-0652413 | 11.0 | 1.5/8" ODF | 100.0 | 15.0 | 59.7 | 9.0 | 63.9 | 9.6 | 10.1 | 10.2 | 10.2 | |
| ESA-1002017 | 24.0 | 2.1/8" ODF | 190.0 | 32.0 | 130.0 | 15.0 | 200.0 | 30.0 | 22.0 | 21.0 | 21.0 | Round Base Mount 3/8 SAE Safety Plug |
| ESA-1002521 | 31.0 | 2.5/8" ODF | 280.0 | 48.0 | 200.0 | 24.0 | 300.0 | 45.0 | 29.0 | 29.5 | 29.5 | |
| ESA-1302525 | 43.0 | 3.1/8" ODF | 420.0 | 71.0 | 300.0 | 35.0 | 450.0 | 67.0 | 39.0 | 39.5 | 39.5 | |

Maximum Operating Pressure is 28 bar
Maximum Temperature is 100°C

Correction Factor Guideline

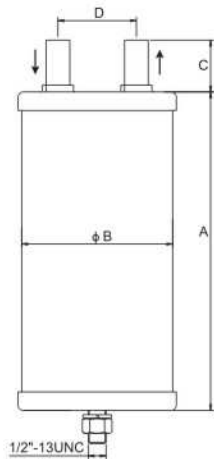
| Evaporating Temperature | +4°C | 0°C | -5°C | -10°C | -15°C | -20°C | -25°C | -30°C | -35°C | -40°C |
|-------------------------|------|------|------|-------|-------|-------|-------|-------|-------|-------|
| K | 1.00 | 1.12 | 1.35 | 1.75 | 2.00 | 2.50 | 3.00 | 3.75 | 5.00 | 6.60 |

Q = RQ x K
Q = Nominal Capacity (kW)
RQ = Required Cooling Capacity (kW)
K = Correction Factor for a pressure drop of 1K saturating temperature

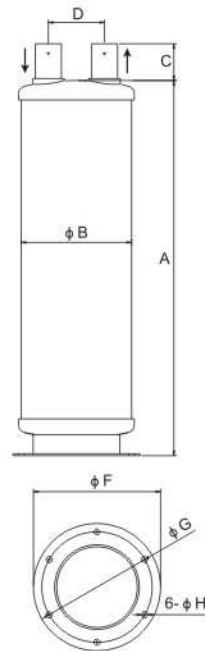
ESA - TECHNICAL SPECIFICATIONS

| Model | Dimension (mm) | | | | | | | | Unit Weight (kg) |
|-------------|----------------|-----|----|-----|-----|-----|-----|------|------------------|
| | A | B | C | D | E | F | G | H | |
| ESA-0400804 | 215 | 102 | 35 | 53 | - | - | - | - | 3.0 |
| ESA-0401105 | 275 | 102 | 35 | 54 | - | - | - | - | 3.2 |
| ESA-0551006 | 262 | 140 | 40 | 80 | - | - | - | - | 3.9 |
| ESA-0551307 | 322 | 140 | 40 | 81 | - | - | - | - | 4.0 |
| ESA-0651709 | 433 | 165 | 50 | 79 | - | 190 | 165 | 9.0 | 7.2 |
| ESA-0652111 | 561 | 165 | 55 | 84 | - | 190 | 165 | 9.0 | 9.6 |
| ESA-0652413 | 611 | 165 | 60 | 82 | - | 190 | 165 | 9.0 | 10.5 |
| ESA-1002017 | 519 | 273 | 65 | 127 | 365 | 320 | 205 | 12.5 | 26.0 |
| ESA-1002521 | 642 | 273 | 74 | 127 | 489 | 320 | 205 | 12.5 | 42.0 |
| ESA-1302525 | 644 | 325 | 75 | 150 | 472 | 372 | 240 | 12.5 | 48.0 |

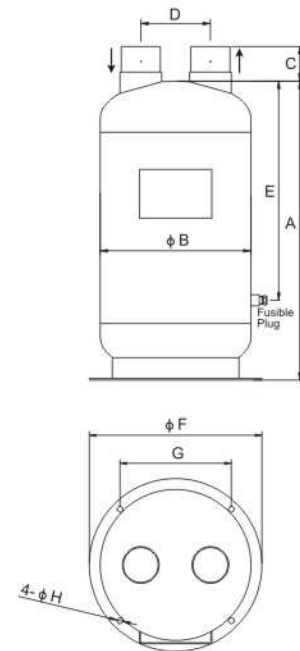
ESA-0400804...ESA-0551307



ESA-0651709...ESA-0652413



ESA-1002017...ESA-1302525



NOMENCLATURE

ESA-0400804 HE

- HE - c/w Heat Exchanger Optional
- 04 - Connection (inches)
- 08 - Height (inches)
- 040 - Diameter (inches)
- ESA - Eden System - Protection Accumulator





EDEN
LIQUID RECEIVERS
EPR Series



FEATURES

- ❖ Eden Receivers come complete with Sight Glass for Volume 13L and above
- ❖ Eden Receivers have strong mounting brackets that are completely adapted to the volume of the receiver
- ❖ Available in both Horizontal and Vertical Mounting to meet different system's requirement
- ❖ Applicable on all Refrigeration and Air Conditioning systems to store refrigerant in a system
- ❖ Eden Receivers are suitable for All refrigerants

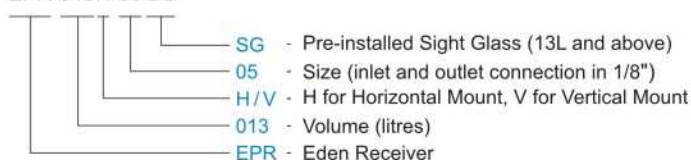
ESA - PERFORMANCE DATA

R404A / R507 / R134A / R22

| Model | Volume (L) | Inlet / Outlet Connection (Inch) | No. Of Moisture Indicator | Capacity (kg) | | | Maximum Working Pressure (Bar) | Maximum Operating Temperature (°C) |
|---------------|------------|----------------------------------|---------------------------|---------------|-------|------|--------------------------------|------------------------------------|
| | | | | R404A / R507 | R134A | R22 | | |
| EPR-003V-03 | 3 | 3/8" | - | 2.6 | 3.1 | 3.1 | 28 | 120 |
| EPR-004V-04 | 4 | 1/2" | - | 3.4 | 4.0 | 3.9 | 28 | 120 |
| EPR-006V-05 | 6 | 5/8" | - | 5.2 | 6.2 | 6.2 | 28 | 120 |
| EPR-008V-05 | 8 | 5/8" | - | 6.8 | 8.0 | 7.8 | 28 | 120 |
| EPR-013V-05SG | 13 | 5/8" | 1 | 11.3 | 13.4 | 13.2 | 28 | 120 |
| EPR-015V-05SG | 15 | 5/8" | 1 | 13.0 | 15.5 | 15.3 | 28 | 120 |
| EPR-030V-07SG | 30 | 7/8" | 3 | 26.0 | 31.0 | 30.5 | 28 | 120 |
| EPR-013H-05SG | 13 | 5/8" | 1 | 11.3 | 13.4 | 13.2 | 28 | 120 |
| EPR-015H-05SG | 15 | 5/8" | 1 | 13.0 | 15.5 | 15.3 | 28 | 120 |
| EPR-030H-07SG | 30 | 7/8" | 2 | 26.0 | 31.0 | 30.5 | 28 | 120 |
| EPR-040H-09SG | 40 | 1.1/8" | 2 | 33.9 | 40.3 | 39.7 | 28 | 120 |
| EPR-055H-09SG | 55 | 1.1/8" | 2 | 46.9 | 55.8 | 55.0 | 28 | 120 |

NOMENCLATURE

EPR-013H-05SG



EPR - TECHNICAL DATA

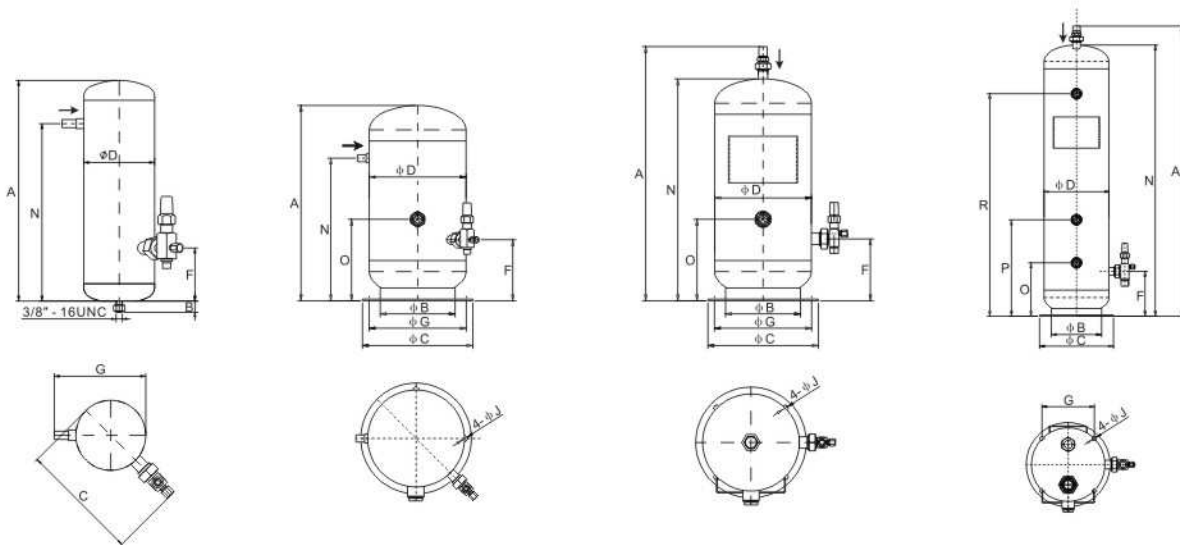
| Model | Dimension (mm) | | | | | | | | | | | Unit Weight (kg) |
|---------------|----------------|-----|-----|-----|-----|-----|-----|-----|-----|-----|----|------------------|
| | A | B | C | D | F | G | N | O | P | R | J | |
| EPR-003V-03 | 355 | 18 | 195 | 114 | 85 | 149 | 285 | - | - | - | - | 4 |
| EPR-004V-04 | 446 | 18 | 195 | 114 | 85 | 149 | 332 | - | - | - | - | 5 |
| EPR-006V-05 | 361 | 20 | 240 | 159 | 111 | 193 | 241 | - | - | - | - | 7 |
| EPR-008V-05 | 473 | 20 | 240 | 159 | 111 | 193 | 366 | - | - | - | - | 8 |
| EPR-013V-05SG | 441 | 170 | 250 | 219 | 138 | 220 | 322 | 184 | - | - | 13 | 12 |
| EPR-015V-05SG | 574 | 170 | 250 | 219 | 140 | 220 | 501 | 184 | - | - | 13 | 14 |
| EPR-030V-07SG | 978 | 170 | 250 | 219 | 151 | 156 | 914 | 180 | 325 | 750 | 13 | 25 |

EPR-003V-03...EPR-008V-05

EPR-013V-05SG

EPR-015V-05SG

EPR-030V-05SG



| Model | Dimension (mm) | | | | | | | | | | | | | | | Unit Weight (kg) |
|---------------|----------------|-----|------|-----|-----|-----|-----|-----|---|-----|-----|-----|-----|----|-----|------------------|
| | A | B | C | D | E | F | G | H | J | L | U | U* | X | Y | Z | |
| EPR-013H-05SG | 742 | 142 | 774 | 159 | 141 | 203 | 110 | 550 | 9 | 195 | 295 | - | 60 | 30 | 110 | 12 |
| EPR-015H-05SG | 842 | 142 | 874 | 159 | 111 | 148 | 110 | 550 | 9 | 195 | 335 | - | 60 | 30 | 110 | 13 |
| EPR-030H-07SG | 910 | 200 | 944 | 219 | 140 | 179 | 160 | 550 | 9 | 268 | 381 | - | 60 | 30 | 180 | 25 |
| EPR-040H-09SG | 1180 | 200 | 1214 | 219 | 160 | 200 | 160 | 740 | 9 | 268 | 381 | - | 60 | 30 | 180 | 33 |
| EPR-055H-09SG | 1630 | 200 | 1664 | 219 | 150 | 299 | 160 | 900 | 9 | 268 | 381 | 381 | 130 | 26 | 180 | 42 |

EPR-013H-05SG

EPR-015H-05SG

EPR-030H-07SG...EPR-040H-09SG

EPR-055H-09SG

